

# Polaris Eos® Wireless Antenna and Remote Installation Instructions

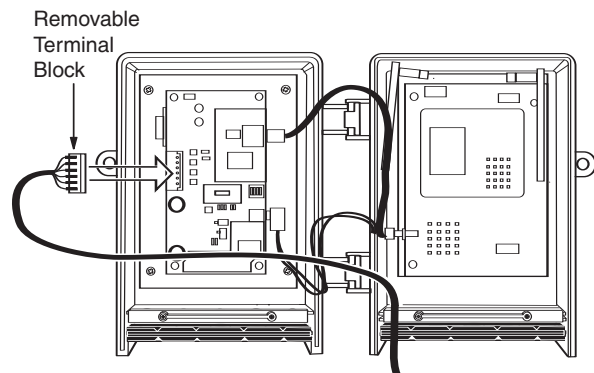
## Installation

### Wireless Antenna

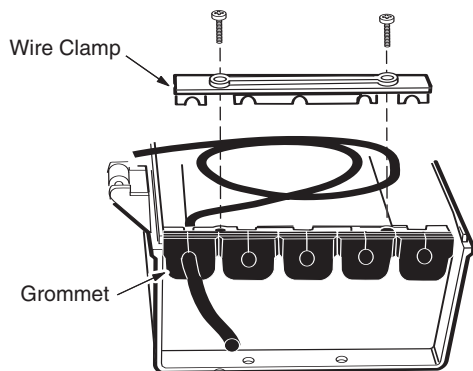
Mount the antenna in a high location, in line-of-sight with the wireless remote and in the center of the coverage area. Avoid areas where the radio signal must pass through fencing, stucco walls, reinforced block walls, etc.

1. Open the antenna door and connect cable wires to the removable terminal block using this color-coded sequence:

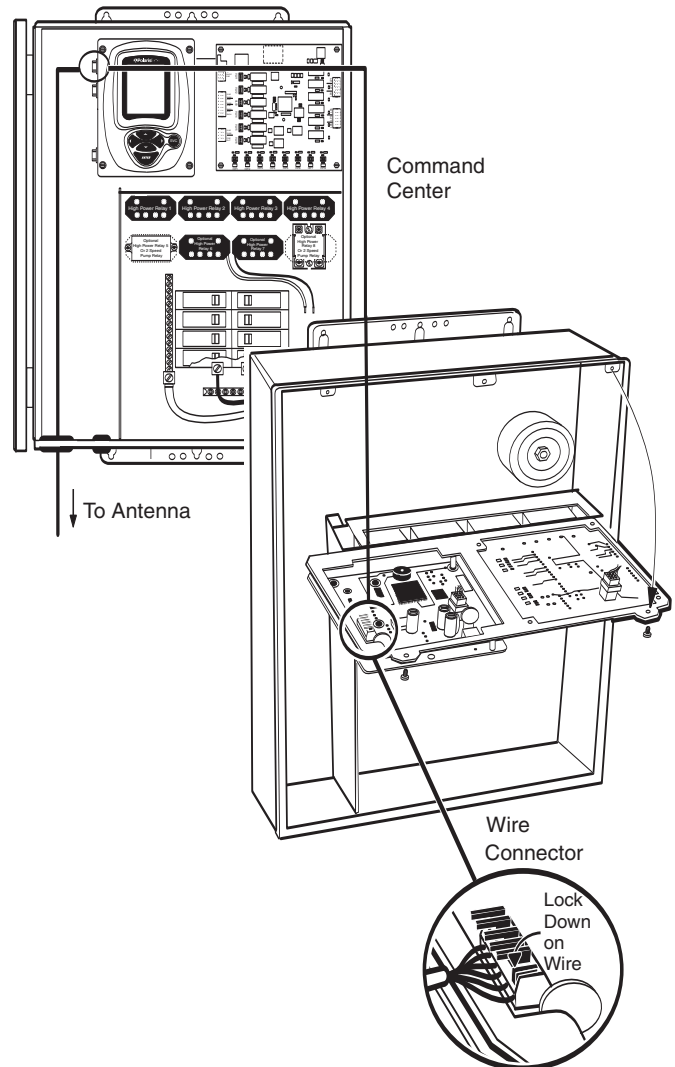
Pin #	Wire Color
1	Green
2	Yellow
3	Orange
4	Red
5	Blue + Brown
6	Black + Purple



2. Remove the wire clamp and feed the wire into the left-most position, leaving about 12" of extra cable in the box. Push the wire into the rubber grommet seal. Reinstall the clamp and close the box.



3. Route the antenna cable to the Eos Command Center and in through the low voltage compartment.
4. Unscrew and swing down the hinged board plate to access the circuit boards.
5. Connect the antenna wire to the removable terminal on the command center board using the same pin/color sequence. To connect multiple remotes with the antenna, install a RBC Hub Card (part #E36).

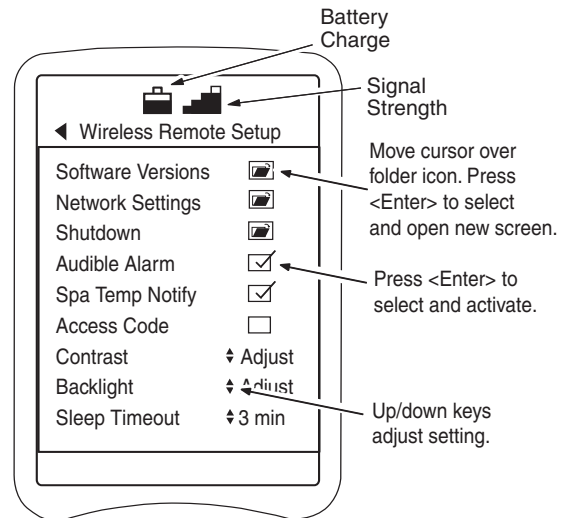
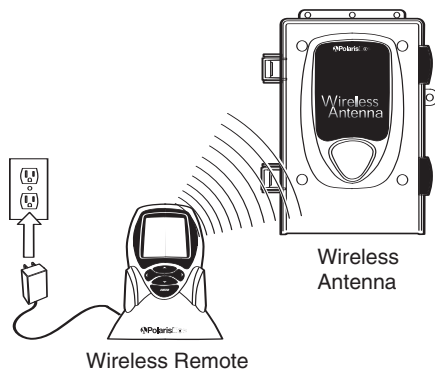


For installations with multiple antennas, the wires can terminate at the Command Center or be wired to the terminal block of another antenna or wired remote (max. 2000 ft.).

**After all connections are complete, power-up the Eos Command Center to verify that communication has been established.**

## Wireless Remote

Position the remote and charging base in a location away from prolonged direct sunlight.



The wireless remote uses the Polaris rechargeable Lithium ion battery (part #E33). The battery must be charged for at least five (5) hours before use. Charging is indicated by an animated scrolling of the battery symbol on the display.

With a full charge, the remote can operate for up to two days, depending on usage. It is normal for the battery to discharge when not in use. To ensure a full charge, always store remote on the charging base when not in use. To replace the battery contact a Polaris service professional.

## Wireless Remote Setup

System measurements and settings are displayed on the remote display screens. Adjustments are made with the keypad. Use the cursor control (arrow) keys to move through the screens and menu options. Use the enter key to select an item.

Display settings such as brightness, contrast, etc. as well as certain device-specific settings are adjusted separately for each display device using the display setup screens.

For a complete description of using the wireless remote, refer to the **Eos Installation and Maintenance Guide** or **Eos Owner's Manual**.

If the remote is purchased with the Eos Command Center, it is factory set for communication. If the remote is purchased separately or is a second remote on the system, it must be configured for communication via the setup screen.

### To access the Wireless Remote Setup screen:

1. Press the left and right arrow keys on the remote simultaneously to open the Wireless Remote Setup screen.

When activated, the **Audible Alarm in this device** signals when an alert condition exists. Alert messages are displayed on the Main screen.

Select **Contrast and Backlight** to adjust the display features to user preferences.

### To configure remote for communications:

1. Select Network Settings and press <Enter> to open the **Network Settings** screen.
3. If two remotes are used with the antenna, assign each remote its own unique **Remote Address**. (Ex: first remote is set to 101 and second is set to 102)
2. Enter the system SSID and Key number. The **SSID** is the antenna serial number (located on left side of the antenna) with three leading zeros. The **Key** consists of two rows of numbers, the second row is the serial number with four leading zeros.

