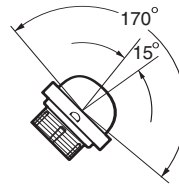
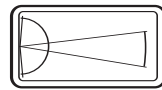


Polaris Universal Fiber Lens (UFL) Installation Instructions

This kit contains:

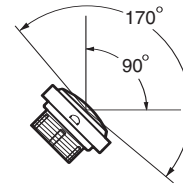
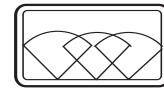
- UFL Socket (2, black and white)
- Bubble Lens with O-Ring
- Flat Lens with O-Ring
- Large Compression Fitting with O-Ring (for Mega-Lite 150, 225 and 300 fiber)
- Small Compression Fitting with O-Ring (for Mega-Lite 75 fiber)
- Small Compression Fitting Adapter with O-ring
- UFL Lens Tool

Pool Plan View
One (1) Light Narrow Beam



Bubble Lens
Narrow Beam

Pool Plan View
Three (3) Lights Wide Beam

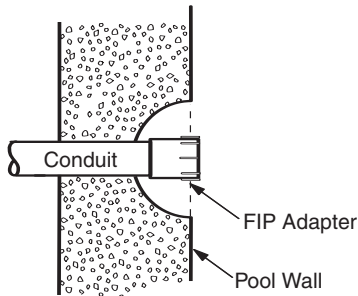


Flat Lens
Wide Beam

Socket Installation

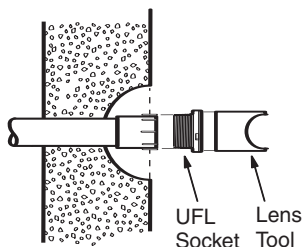
Gunite Pool Installation

1. Use 1-1/2" PVC conduit for fiber cable.
2. Trim conduit so that the UFL Socket will extend 1/2" to 3/4" beyond gunite when installed.
3. Glue 1-1/2" FIP adapter (or Pac-Fab 54-2505, American Products 86202705, 86204200, Hayward SP-1022 return fitting) to the conduit.

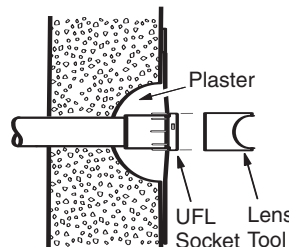


4. Wrap UFL Socket threads with teflon tape.
5. Socket can be installed before plastering or after. Use the lens tool to screw the socket into the adapter.

Installation Before Plaster

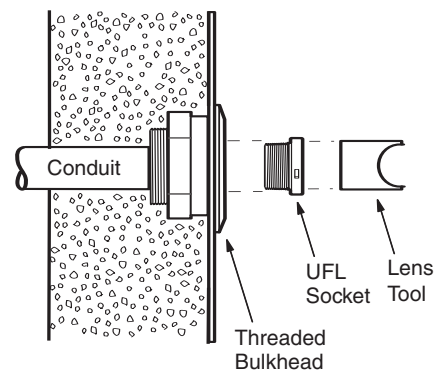


Installation After Plaster



Fiberglass/Acrylic Pool Installation

1. Use 1-1/2" PVC conduit for fiber cable.
2. Install a 1-1/2" FIP return fitting (Pac-Fab 54-2414, American Products 86200300 or Hayward SP-1023, etc.) on the conduit.
3. Wrap UFL Socket threads with teflon tape.
4. Use the lens tool to screw the socket into the threaded bulkhead.

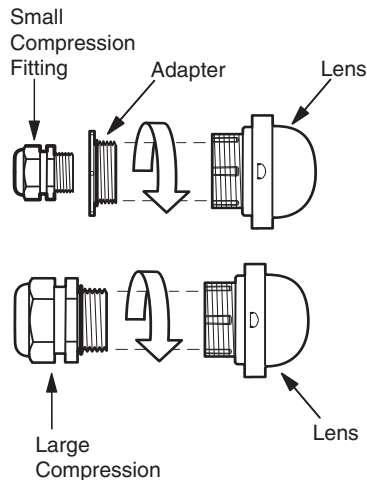


Vinyl Pool Installation

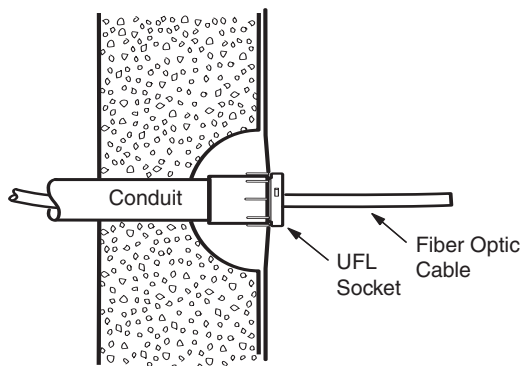
1. Use 1-1/2" PVC conduit for fiber cable.
2. Install a 1-1/2" FIP return fitting (Pac-Fab 554-2410, American Products 86205100 or Hayward SP-1408, etc.) on the conduit.
3. Wrap UFL Socket threads with teflon tape.
4. Use the lens tool to screw the socket into the threaded bulkhead on the face plate.

Lens Installation

1. Thread the small compression fitting with o-ring and adapter, or the large compression fitting with o-ring into the lens.

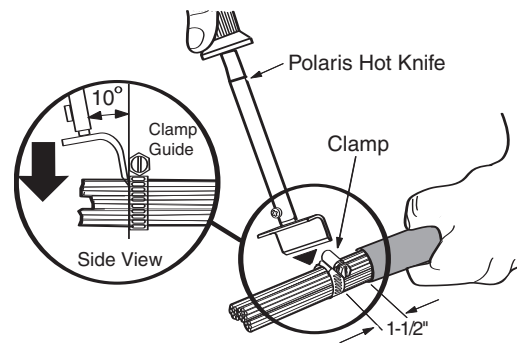


2. Feed fiber optic cable through PVC conduit and UFL Socket until cable extends about 12" beyond socket.

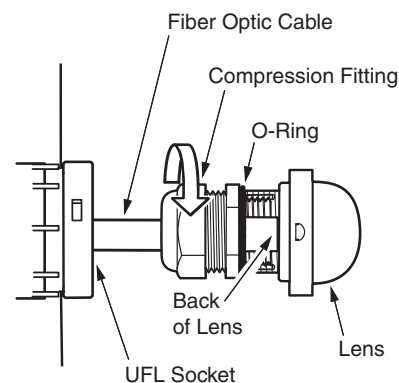


3. Strip the fiber casing back approximately 5" to expose the bare fibers. Holding the tips of the fiber cables even, insert them through a clamp.
4. Secure the loose fibers, ensuring that the individual fibers extend 3-4" beyond the clamp.

5. Holding at a 10-degree angle, use the Polaris Hot Knife (part #AD25) to trim the fibers clean and even with the clamp. No more than 1-1/2" of bare fiber should remain exposed after the cut.



6. Remove the clamp and slide the fiber cable into the compression fitting / lens assembly until it stops against the back of the lens.



7. Hand tighten the compression fitting seating the o-ring between the fitting and the lens.
8. Push fiber and lens assembly into socket.
9. Line up lens tabs with socket slots and turn clockwise to secure lens.

