

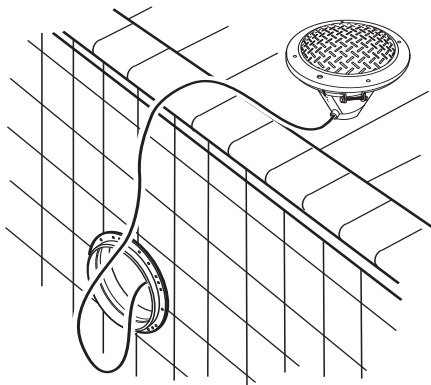
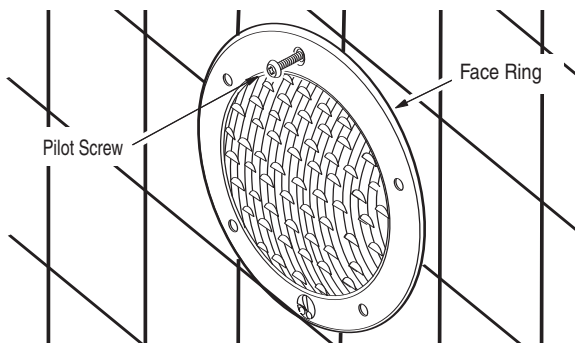
# Polaris D'Light Bulb for In-Ground Pools and Spas

**WARNING: RISK OF ELECTRICAL SHOCK.** Disconnect from power before performing maintenance or repairs. Avoid contact with electrical voltage and do not handle with wet feet or hands.

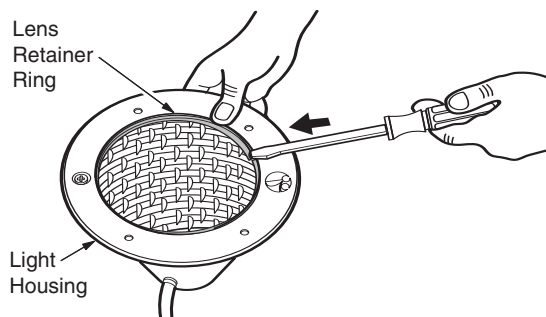
**Before installation, check voltage of existing light assembly to ensure it matches the voltage of the new Polaris D'Light®.** If using the D'Light in a non-Polaris housing, refer to the original manufacturer's manual for bulb removal and installation instructions.

## Installation

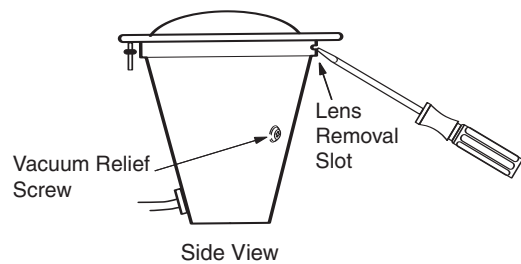
1. Turn OFF power.
2. Loosen pilot screw at top of face ring. Pull light assembly out of niche and place it on pool deck.



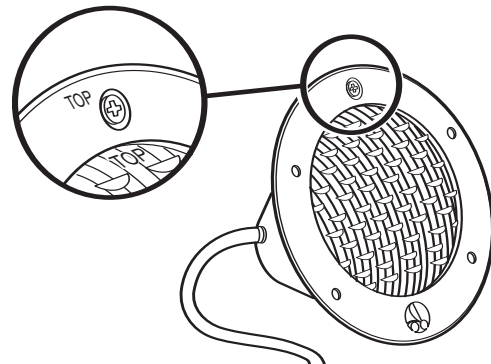
3. Remove lens retaining ring by pulling the notched end of the ring towards the center of the lens with a flathead screwdriver.



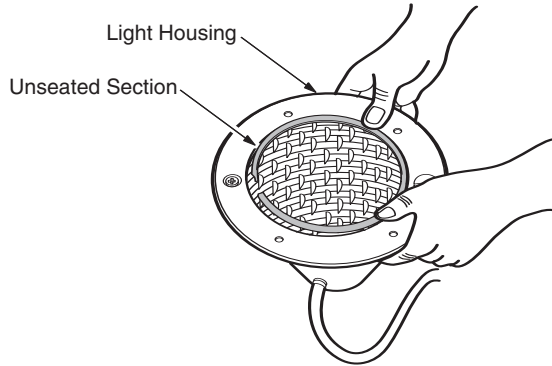
4. Slide head of screwdriver into lens removal slot and twist to release lens. If necessary, loosen, do not remove, the vacuum relief screw enough to free the lens. Retighten the screw.



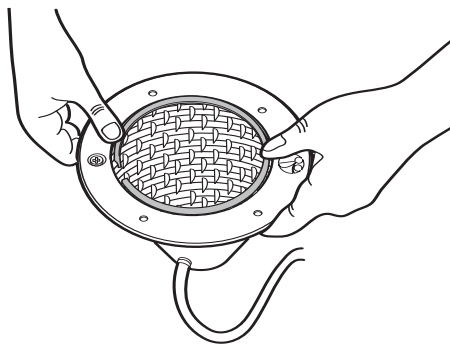
5. Remove existing bulb and install D'Light.
6. To test light, turn on power. Start and stop the color cycle several times. Turn off power.
7. Lubricate the lens o-ring with silicone and place it into the groove in the housing. Polaris recommends replacing the o-ring with each bulb replacement.
8. Place lens inside o-ring in housing aligning the "Top" markings on the glass with the "Top" markings on the housing.



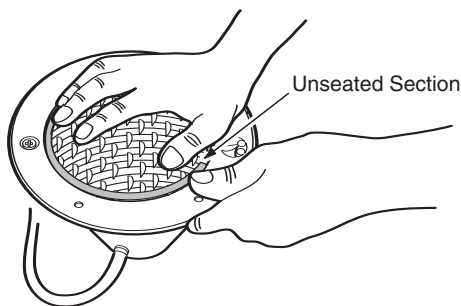
- Insert one end of the retaining ring into the groove between the glass and the housing. Press down and in with thumbs, moving around the lens until about half of the ring is engaged in the slot.



- Holding the ring in place, push in and down to engage the unseated side of the ring. A small portion of the ring will remain unseated.

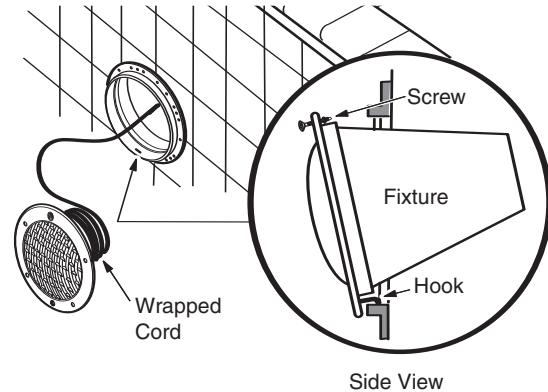


- Using the palm of the hand on the lens, press down and away from the unseated section to "snap" the retaining ring into place.



When properly seated, the ends of the retaining ring will **lie flat and not overlap**.

- Insert the light assembly into the niche, (wrapping excess cord around housing) with the hook in the niche at the bottom and the pilot screw at the top. Secure the housing to the niche.



## Operation

The Polaris D'Light provides digital color changes using high-intensity, multi-color LEDs.

Multiple D'Light units can be synchronized by wiring them to the same AC power circuit.

Two modes of operation are available:

### Color Fade:

Light moves slowly through the color sequence.

### Color Hold:

Light displays just one color.

To place unit on Color Hold:

- Turn on power to the D'Light and wait until the desired color is displayed.
- Turn off power for approximately three (3) seconds, not more than six (6), then turn power back on. The light will display the chosen color without change.

To restart color changes, turn off power for at least six (6) seconds, then turn on power.



USA: 2620 Commerce Way, Vista, CA 92081-8438 • 760-599-9600 • 1-800-VAC-SWEEP (USA and Canada only)  
 Australia: Unit 4, 19-21 Gibbes Street, Chatswood, NSW 2067 • 02-9882-1111 • ACN 080 168 092  
[www.polarispool.com](http://www.polarispool.com)